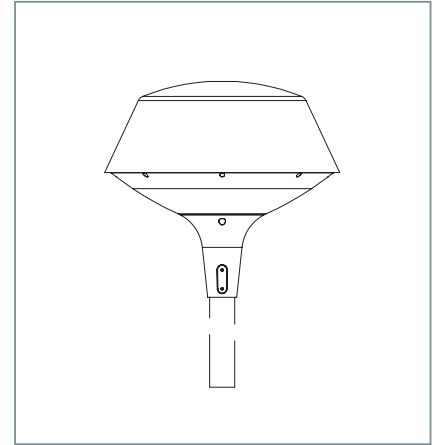
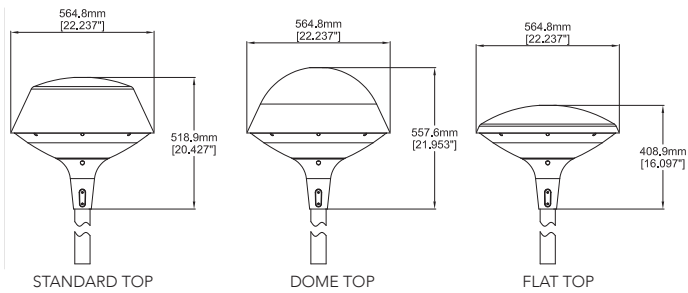


INSTALLATION & SERVICE INSTRUCTIONS GLL460 SERIES

SUITABLE FOR WATTAGES: 40W 60W 80W 120W



IMPORTANT: READ BEFORE REMOVING FIXTURE FROM CARTON. RETAIN FOR FUTURE REFERENCE.

CAUTION :

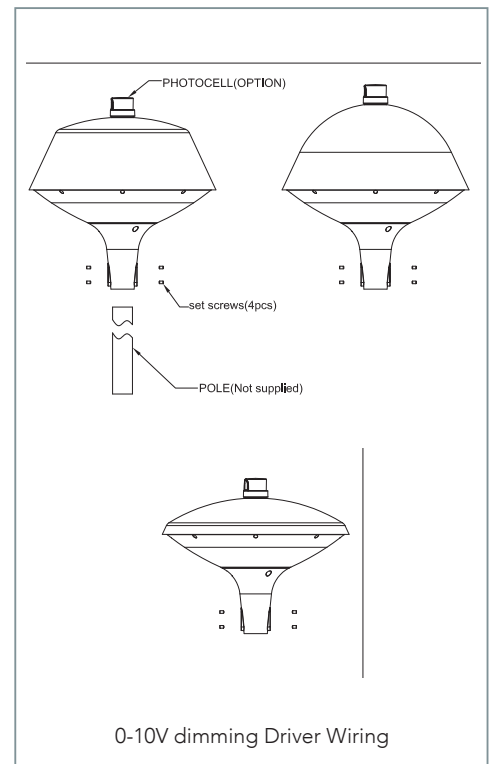
THIS PRODUCT MUST BE INSTALLED IN ACCORDANCE WITH THE APPLICABLE INSTALLATION CODE BY A PERSON FAMILIAR WITH THE CONSTRUCTION AND OPERATION OF THE PRODUCT AND THE HAZARDS INVOLVED CE PRODUIT DOIT ÊTRE INSTALLÉ SELON LE CODE D'INSTALLATION PERTINENT, PAR UNE PERSONNE QUI CONNAÎT BIEN LE PRODUIT ET SON FONCTIONNEMENT AINSI QUE LES RISQUES INHÉRENTS

Check that voltage is compatible with fixture Driver..Use approved connectors for all electrical connections

1. Connect the line fixture lead to the hot1. Connect the line fixture lead to the hot supply lead.
2. Connect the common fixture lead to the neutral supply lead.
3. Connect the grounding fixture lead to the ground.
4. Make sure connections are secure using wire nuts, crimp-on lugs or other approved connecting devices.

MOUNTING INSTRUCTIONS:

1. Fitting the bracket with pole.
2. Screw the 4 pcs 5/16-14 screws tightly.
3. Connect the wire per wiring method in the door of the light pole.

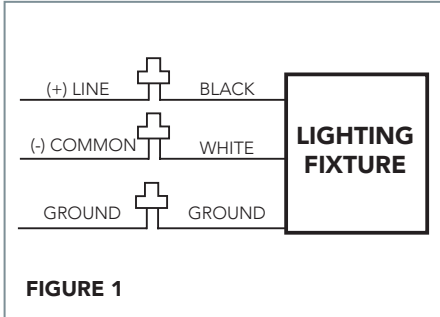


FIXTURE IS SUITABLE FOR WET LOCATION USE NOT TO EXCEED 40°C AMBIENT

INSTALLATION & SERVICE INSTRUCTIONS

GLL460 SERIES

SUITABLE FOR WATTAGES: 40W 60W 80W 120W



ON-OFF WIRING METHOD:

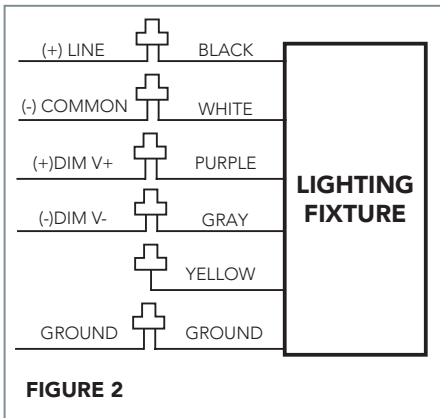
Universal voltage driver permits operation at 120V through 277V, 50 or 60 Hz. Units ordered with (480V) suffix are 480V, 60Hz. For Non-Dimming, follow the wiring directions as in FIG. 1

1. Connect the GROUND wire from fixture to supply ground
2. Connect the white fixture lead to the (-) COMMON supply lead
3. Connect the black fixture lead to the (+) LINE supply lead

0-10V DIMMABLE WIRING METHOD:

Universal voltage driver permits operation at 120V through 277V, 50 or 60 Hz. For 0-10V Dimming, follow the wiring directions as in figure 2

1. Connect the GROUND wire from fixture to supply ground
2. Connect the white fixture lead to the (-) COMMON supply lead
3. Connect the black fixture lead to the (+) LINE supply lead
4. Connect the purple fixture lead to the (V+) DIM lead
5. Connect the gray fixture lead to the (V-) DIM lead
5. Cap the yellow fixture lead, if present. DO NOT connect



TROUBLESHOOTING:

1. Check that the line voltage at fixture is correct
2. Is there voltage at the lamp fixture wires? If there is no voltage, check all connections
3. Ensure that the fixture is grounded properly