



eran industrial.

*THE **LAINE PLUS.***
PREMIUM-GRADE LED BOLLARDS







RBL / TRB / SSB / SRB SERIES



THE LAINE PLUS.

LED BOLLARDS

THE PREMIUM **RBL / TRB / SSB / SRB** SERIES

	RBL 400 Round 6"	12W-120° 20W-180°/ 360° 25W-240° 35W-360°
	TRB 600 Round 6" tapered	12W-120° 20W-180°/ 360° 25W-240° 35W-360°
	SSB 600 Square 6"	12W-90° 20W-180° 25W-270° 35W-360°
	SRB 800 Round 8"	12W-120° 20W-180°/ 360° 25W-240° 35W-360°

DLC 4.2 Premium Bollards



THE **LAINÉ PLUS.**

PRODUCT OVERVIEW



Rotatable Head Design

Enables the contractor to aim the light exactly where desired.

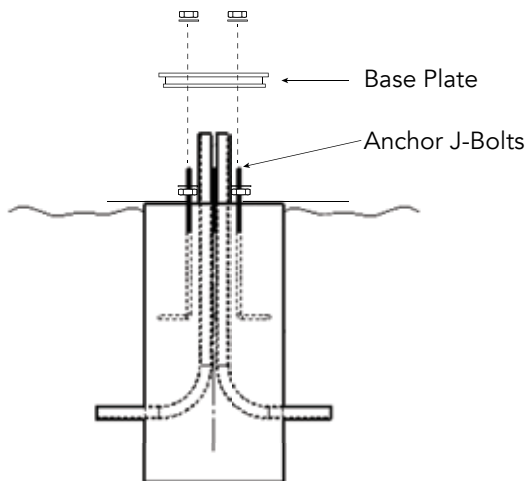
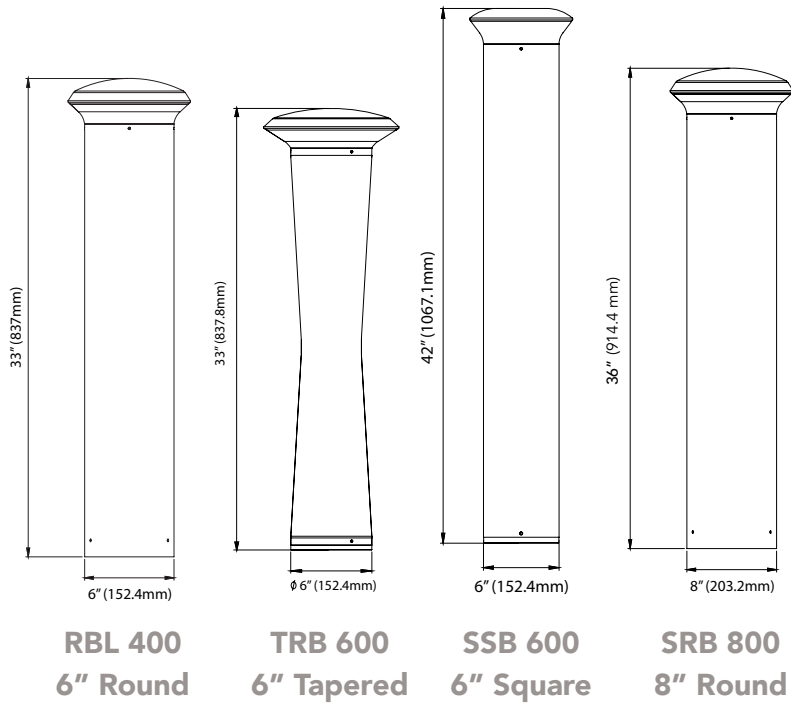
Numerous Optical Distributions

360, 270, 180, 120 and 90 degree options are available to address all lighting needs.

High Quality Aluminium

Rugged, aluminum bollard column and diecasted-base for maximum durability, corrosion-resistance, and minimal weight.

Select any height desired!



Any Taper Design

Custom taper designed bollards are available.



Endless Finishes

Bronze, white, gray, black, silver and other optional finishes available upon request.

IP65-rated Luminaire

IP65-rated electrical and optical assembly ensures protection from harsh environmental factors to ensure durability and longevity.

Product Description

- Custom tapered shapes available
- 6" Square, 6" & 8" Round, options available
- Surge Protector
- 360, 270, 180, 120 and 90 degree lighting distribution available
- Dimming option available
- Precision die cast head
- IP65 rated fixture for outdoor use
- Chip and fade resistant powder coat finish in any color
- Corresponding anchor bolts/j-bolts are available

CONSTRUCTION

Cold Weather

Designed for temperatures ranging from -40°C to +40°C, and built to withstand snow, ice and salt.

Housing

Die-cast aluminum adjustable head with extruded aluminum column.

Lens

Clear or Frosted vandal resistant polycarbonate.

Mounting

Three anchor bolts provided for concrete pad mounting. Internal base support has leveling screws.

Reflector

Specular polycarbonate.

Gaskets

High-temperature silicone gaskets seal out moisture.

Finish

Our environmentally friendly polyester powder coatings are formulated for high-durability and long-lasting color.

Green Construction

Mercury and UV free. RoHS compliant components. Polyester powder coat finish formulated without the use of VOC or toxic heavy metals.



ACCESSORIES



SP1 Surge Protector.

THE LAINE PLUS.

PRODUCT SPECIFICATIONS



CERTIFICATIONS

- DLC 4.2 Premium
- cUL-us Listed



RBL 400
6" Round

TRB 600
6" Tapered

SSB 600
6" Square

SRB 800
8" Round

SPECIFICATION & VARIATIONS

Sample

SSB600-20W-40K-V8-D-R0-CP-S1-BZ

BODY TYPE	SYSTEM WATTAGE	CCT	VOLTAGE	DIMMING OPTION	OPTICS	LENS MATERIAL	SURGE PROTECTOR	HOUSING FINISH
SSB 600 -	20W -	40K -	V8 -	D -	R0 -	CP -	S1 -	BZ
RBL 400	12W	30K = 3000K 40K = 4000K 50K = 5000K	V7 = 480V V8 = 120-277V V9 = 347-480V	D = Dimming N = Non-Dimming	R2 = 120°	CP = Clear Polycarbonate FP = Frost Polycarbonate	S1 = Surge Protector NA = None	BZ = Bronze BK = Black SL = Silver GY = Gray CU = Custom
TRB 600	20W				R3 = 180°			
	25W				R0 = 360°			
	35W				R4 = 240°			
SSB 600	12W				R0 = 360°			
	20W				R1 = 90°			
	25W				R3 = 180°			
	35W				R5 = 270°			
SRB 800	12W				R0 = 360°			
	20W				R2 = 120°			
	25W				R3 = 180°			
	35W				R0 = 360°			

Contact our sales representatives and build your own SKU order number by using the configuration table. Please note that any custom built SKU number may delay your shipping schedules.

PRODUCT SUMMARY

LED Chip:	LG 5630
CRI:	RBL400 ≥ 80; TRB600 / SSB600 / SRB800 ≥ 70
Driver:	YG Driver (0-10V Dimming Optional)
THD:	< 20% @ full load
PF:	> 0.9 @ full load, 100V through 277V
Driver Efficiency:	> 85%
Warranty:	Warranty: 5 Years (terms and conditions apply).
Ambient Operating Range:	-40°C to +40°C
Rated Life:	More than 50K hours per L70 TM-21 @ 70 °C
Dimensions:	RBL400: 33" x 9.68"; TRB600: 33" x 9.68"; SSB600: 42" x 8.21"; SRB800: 36" x 8"
Weight:	RBL400: 13.45 lbs; TRB600: 17.39 lbs; SSB600: 15.21 lbs; SRB800: 22 lbs
Electrical:	120-277V operation, 50/60Hz, Single Driver RoHS and IP65. 347-480V and 480V optional

APPLICATION

- Suitable for landscape and pathway lighting.
- Ideal for walkways, offices, retail, town-homes & apartment complexes, and health care facilities.
- Compatible with most wired or wireless lighting control systems.

CERTIFICATIONS



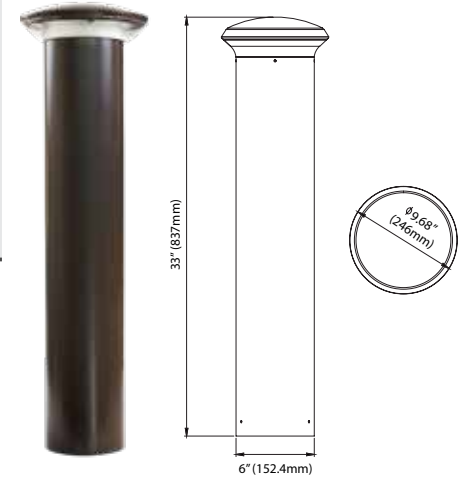
THE LAINIE PLUS.

PRODUCT SPECIFICATIONS



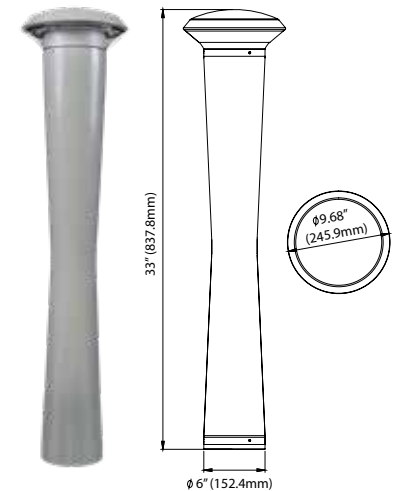
LAINIE PLUS RBL 400

CCT	SYSTEM WATTAGE	LED WATTAGE	OPTICS INFORMATION	LUMENS (LMS)	LUMENS PER WATT	REPLACES (MH)	CRI	VOLTAGE	WEIGHT
40K	12W	10W	120°	1380	115	50W	≥80	120-277	13.45 lbs.
	20W	18W	180°	2465	118	70W			
			360°	2267	114	100W			
	25W	22W	240°	3024	119	150W			
35W	30W	360°	4276	121	150W				
50K	12W	10W	120°	1380	115	50W	≥80	120-277	13.45 lbs.
	20W	18W	180°	2493	121	70W			
			360°	2314	116	100W			
	25W	22W	240°	3012	119	150W			
35W	30W	360°	4298	121	150W				



LAINIE PLUS TRB 600

CCT	SYSTEM WATTAGE	LED WATTAGE	OPTICS INFORMATION	LUMENS (LMS)	LUMENS PER WATT	REPLACES (MH)	CRI	VOLTAGE	WEIGHT
40K	12W	10W	120°	1437	109	50W	≥70	120-277	17.39 lbs.
	20W	18W	180°	2366	111	70W			
			360°	2269	114	100W			
	25W	22W	240°	2839	109	150W			
35W	30W	360°	4087	111	150W				
50K	12W	10W	120°	1439	110	50W	≥70	120-277	17.39 lbs.
	20W	18W	180°	2392	113	70W			
			360°	2314	116	100W			
	25W	22W	240°	2839	109	150W			
35W	30W	360°	4087	111	150W				

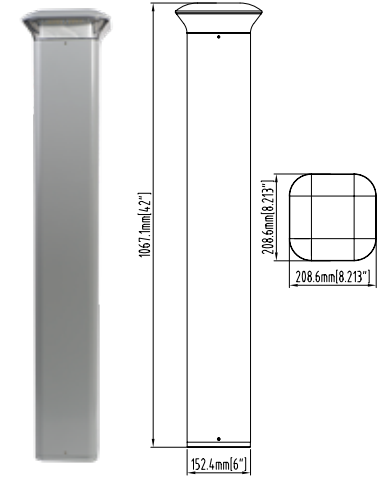


THE LAINIE PLUS.

PRODUCT SPECIFICATIONS

LAINIE PLUS SSB 600

CCT	SYSTEM WATTAGE	LED WATTAGE	OPTICS INFORMATION	LUMENS (LMS)	LUMENS PER WATT	REPLACES (MH)	CRI	VOLTAGE	WEIGHT
40K	12W	10W	90°	1437	109	50W	≥70	120-277	15.21 lbs.
	20W	18W	180°	2200	110	70W			
	25W	22W	270°	2750	110	100W			
	35W	30W	360°	3850	110	150W			
50K	12W	10W	90°	1439	110	50W	≥70	120-277	15.21 lbs.
	20W	18W	180°	2200	110	70W			
	25W	22W	270°	2750	110	100W			
	35W	30W	360°	3850	110	150W			



LAINIE PLUS SRB 800

CCT	SYSTEM WATTAGE	LED WATTAGE	OPTICS INFORMATION	LUMENS (LMS)	LUMENS PER WATT	REPLACES (MH)	CRI	VOLTAGE	WEIGHT
40K	12W	10W	120°	1437	109	50W	≥70	120-277	22.00 lbs.
	20W	18W	180°	2366	111	70W			
			360°	2269	114	100W			
	25W	22W	240°	2839	109	150W			
50K	12W	10W	120°	1439	110	50W	≥70	120-277	22.00 lbs.
	20W	18W	180°	2392	113	70W			
			360°	2314	116	100W			
	25W	22W	240°	2839	109	150W			
35W	30W	360°	4087	111	150W				






Ready to Order or have any questions?

Contact us for any additional information, such as IES documentation and lighting specification Sheets, or please visit us online at: www.eranindustrial.com

 **Office**
1.844.411.LITE

 **Sales**
sales@eranindustrial.com

Office Location.



USA Office
3500 NW 2nd Avenue,
Ste 717 Boca Raton,
Florida 33431



CHINA Headquarters
17/F Guangbo Mansion
#1357 Yinxian Avenue
Yinzhou District
Ningbo, China 315100





eran industrial.