



eran industrial.

THE **EOS.**  
LED AREA / FLOOD LIGHTS



**FSL SERIES**



THE **SUPERIOR FSL** SERIES

|   |                |              |
|---|----------------|--------------|
|    | <b>FSL 500</b> | 60W<br>100W  |
|   | <b>FSL 510</b> | 150W<br>200W |
|  | <b>FSL 520</b> | 240W<br>300W |



**WE CONTINUE TO BRING  
ADVANCED LED TECHNOLOGY  
TO THE LIGHTING INDUSTRY.**

# THE EOS.

PRODUCT OVERVIEW



## Optical Distribution.

Type II , Type III, Type IV , and Type V are available to address area and flood lighting needs.

## Color Temperatures.

4000K and 5000K Color Temperature options available.

## Sensor Option.

When specified, motion sensor options are available for the luminaire.



## Finish.

Bronze, white, gray, black, silver and other optional finishes available upon request.

## Multiple Mounts

Slip fitter (standard), extension arm, and trunnion, mounts available.



### *Integrated Fin Design.*

Designed with heat dissipating fin feature, for wind resistance, longer durability and better performance.

### *Low Profile.*

Rugged, die-cast aluminum housing for maximum durability of the luminaire.



### *Die-cast Housing.*

Rugged, die-cast aluminum housing for maximum durability of the luminaire.

### *IP65-rated Luminaire.*

IP65-rated electrical and optical assembly ensures protection from harsh environmental factors to ensure durability and longevity.

## *Product Description.*

UL wet listed die-cast aluminum construction with PC optic lens

Premium brand LEDs (Philips® chips depending on SKU) YG® driver technology • Dimming option available • Precision die cast • Trunnion and Slip fitter mount available • Optional arm mount (sold separately) • Wet Location rated fixture for outdoor use • Chip and fade resistant powder coat finish in any color • Industrial grade, Button-type photocell available • Optional arm mount (sold separately) • Wet Location rated fixture for outdoor use • Chip and fade resistant powder coat finish in any color • Industrial grade, Button-type photocell available.

# ACCESSORIES



Motion Sensor.



Photocell.



Slip Fitter.



Trunnion.

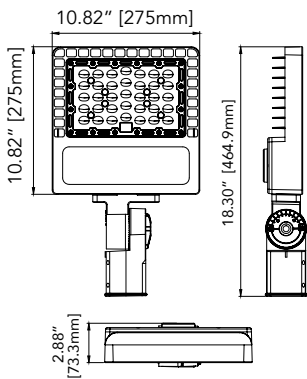


Extension Arm.

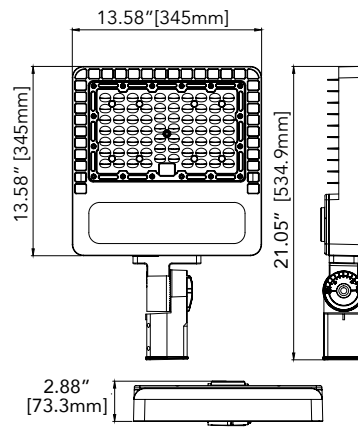


SP1 Surge Protector.

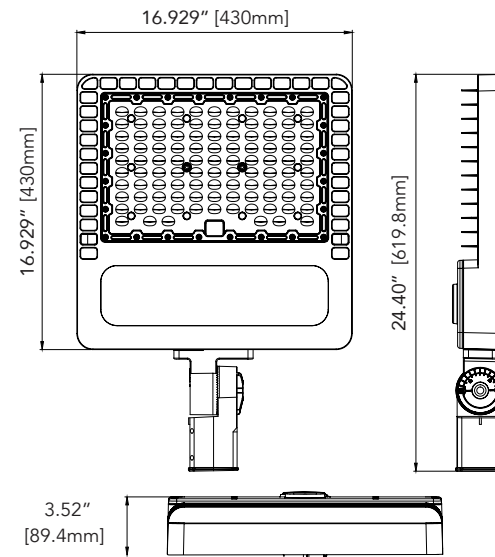
# LINE DRAWING



FSL500



FSL510



FSL520

**THE EOS.**  
PRODUCT SPECIFICATIONS



**FSL 500**  
60W  
100W



**FSL510**  
150W  
200W



**FSL 520**  
240W  
300W

**CERTIFICATIONS**

- **DLC 4.2 Premium**
- **cUL-us Listed**

**SPECIFICATION & VARIATIONS**

Sample

FSL520-240W-40K-V8-D-PC-MS-S1-BZ-EA

| BODY TYPE | SYSTEM WATTAGE | CCT                        | VOLTAGE                    | DIMMING OPTION                 | ELECTRICAL (PHOTOCELL)      | ELECTRICAL OPTIONS              | ELECTRICAL OPTICS  | SURGE PROTECTOR                   | HOUSING FINISH  | MOUNTING  |
|-----------|----------------|----------------------------|----------------------------|--------------------------------|-----------------------------|---------------------------------|--|-----------------------------------|---|---|
| FSL520 -  | 240W -         | 40K -                      | V8 -                       | D -                            | PC -                        | PC -                            | T5 -   | S1 -                              | BZ -  | SF  |
| FSL500    | 60W<br>100W    | 40K = 4000K<br>50K = 5000K | V1 = 120V<br>V2 = 208V     | D = Dimming<br>N = Non-Dimming | PC = Photocell<br>NA = None | MS = Motion Sensor<br>NA = None | T2 = TYPE II<br>T3 = TYPE III<br>T4 = TYPE IV<br>T5 = TYPE V | NA = None<br>S1 = Surge Protector | BZ = Bronze<br>WH = White<br>BK = Black<br>SL = Silver<br>GY = Gray | SF = Slip Fitter<br>TR = Trunnion<br>EA = Extension Arm |
| FSL510    | 150W<br>200W   |                            | V3 = 220V<br>V4 = 240V     |                                |                             |                                 |  |                                   |   |   |
| FSL520    | 240W<br>300W   |                            | V5 = 277V<br>V8 = 120-277V |                                |                             |                                 |  |                                   |   |   |

Contact our sales representative and build your own SKU order number by using the specification & variation table. Please note that any custom built SKU number will delay your shipping schedules. Be sure to include the luminaire's specification in the following order: [Body Type] + [Model Number] + [System Wattage] + [CCT] + [Voltage] + [Dimming Option] + [Electrical Photocell] + [Electrical Options] + [Electrical Optics] + [Housing Finish] + [Mounting]. This section only pertains towards FSL series SKUs.

## PRODUCT SUMMARY

|                          |  |
|--------------------------|--|
| LED Chip:                | LG® 3535 or CREE® XPG2 LED   |
| CRI:                     | ≥70  |
| Driver:                  | Adjustable 0-10V Dimming type is continuous,The product can dim to 10%   |
| THD:                     | < 20% @ full load  |
| PF:                      | > 0.9 @ full load, 100V through 277V   |
| Driver Efficiency:       | > 85%  |
| Warranty:                | Warranty: 5 Years (terms and conditions apply).  |
| Ambient Operating Range: | -30°C to 40°C  |
| Rated Life:              | More than 100K hours per L70 TM-21 @ 70 °C   |
| Dimensions:              | EOS520: 23.62" x 13.58" x 3.88" , EOS510: 18.96" x 11.32" x 3.88"<br>EOS500: 18.96" x 11.32" x 3.88"   |
| Weight:                  | FSL500: 10.14 lbs., FSL510: 13.89 lbs., FSL520: 23.81 lbs.   |
| Electrical:              | 120-277V operation, 50/60Hz, Single Driver RoHS and IP65   |
| Application:             | Ideal for Commercial Office spaces, Parking Lots, Stadiums, Highways. Suitable for use with most wired or wireless lighting control systems. Suitable for wet Locations. |



THE **EOS.**  
PRODUCT SPECIFICATIONS



| FSL500 - 65W  |                |             |              |                 |               |     |                    |          |            |
|---------------|----------------|-------------|--------------|-----------------|---------------|-----|--------------------|----------|------------|
| CCT           | SYSTEM WATTAGE | LED WATTAGE | LUMENS (LMS) | LUMENS PER WATT | REPLACES (MH) | CRI | OPTICS INFORMATION | VOLTAGE  | WEIGHT     |
| 40K           | 60W            | 52W         | 7200         | 120             | 200W          | ≥80 | TYPE II            | 120-277V | 10.14 lbs. |
|               |                |             | 7200         | 120             |               |     | TYPE - III         |          |            |
|               |                |             | 7200         | 120             |               |     | TYPE IV            |          |            |
|               |                |             | 7200         | 120             |               |     | TYPE V             |          |            |
| 50K           | 60W            | 52W         | 7200         | 120             | 200W          | ≥80 | TYPE II            | 120-277V | 10.14 lbs. |
|               |                |             | 7200         | 120             |               |     | TYPE - III         |          |            |
|               |                |             | 7200         | 120             |               |     | TYPE IV            |          |            |
|               |                |             | 7200         | 120             |               |     | TYPE V             |          |            |
| FSL500 - 100W |                |             |              |                 |               |     |                    |          |            |
| CCT           | SYSTEM WATTAGE | LED WATTAGE | LUMENS (LMS) | LUMENS PER WATT | REPLACES (MH) | CRI | OPTICS INFORMATION | VOLTAGE  | WEIGHT     |
| 40K           | 100W           | 90W         | 12000        | 120             | 320W          | ≥80 | TYPE II            | 120-277V | 10.14 lbs. |
|               |                |             | 12000        | 120             |               |     | TYPE - III         |          |            |
|               |                |             | 12000        | 120             |               |     | TYPE IV            |          |            |
|               |                |             | 12000        | 120             |               |     | TYPE V             |          |            |
| 50K           | 100W           | 90W         | 12000        | 120             | 320W          | ≥80 | TYPE II            | 120-277V | 10.14 lbs. |
|               |                |             | 12000        | 120             |               |     | TYPE - III         |          |            |
|               |                |             | 12000        | 120             |               |     | TYPE IV            |          |            |
|               |                |             | 12000        | 120             |               |     | TYPE V             |          |            |

To view photometrics visit our website.

**THE EOS.**  
PRODUCT SPECIFICATIONS

| FSL520 - 150W |      | CCT  | SYSTEM WATTAGE | LED WATTAGE | LUMENS (LMS) | LUMENS PER WATT | REPLACES (MH) | CRI      | OPTICS INFORMATION | VOLTAGE  | WEIGHT     |
|---------------|------|------|----------------|-------------|--------------|-----------------|---------------|----------|--------------------|----------|------------|
|               |      | 40K  | 150W           | 135W        | 18000        | 120             | 320W          | ≥80      | TYPE II            | 120-277V | 13.89 lbs. |
| 18607         | 120  |      |                |             | TYPE - III   |                 |               |          |                    |          |            |
| 18344         | 120  |      |                |             | TYPE IV      |                 |               |          |                    |          |            |
| 18000         | 120  |      |                |             | TYPE V       |                 |               |          |                    |          |            |
| 50K           | 150W | 135W | 18000          | 120         | 320W         | ≥80             | TYPE II       | 120-277V | 13.89 lbs.         |          |            |
|               |      |      | 18802          | 120         |              |                 | TYPE - III    |          |                    |          |            |
|               |      |      | 18536          | 120         |              |                 | TYPE IV       |          |                    |          |            |
|               |      |      | 18000          | 120         |              |                 | TYPE V        |          |                    |          |            |
| FSL520 - 200W |      | CCT  | SYSTEM WATTAGE | LED WATTAGE | LUMENS (LMS) | LUMENS PER WATT | REPLACES (MH) | CRI      | OPTICS INFORMATION | VOLTAGE  | WEIGHT     |
|               |      | 40K  | 200W           | 180W        | 24000        | 120             | 400W          | ≥80      | TYPE II            | 120-277V | 13.89 lbs. |
| 24409         | 120  |      |                |             | TYPE - III   |                 |               |          |                    |          |            |
| 24137         | 120  |      |                |             | TYPE IV      |                 |               |          |                    |          |            |
| 24000         | 120  |      |                |             | TYPE V       |                 |               |          |                    |          |            |
| 50K           | 200W | 180W | 24000          | 120         | 400W         | ≥80             | TYPE II       | 120-277V | 13.89 lbs.         |          |            |
|               |      |      | 24616          | 120         |              |                 | TYPE - III    |          |                    |          |            |
|               |      |      | 24340          | 120         |              |                 | TYPE IV       |          |                    |          |            |
|               |      |      | 24000          | 120         |              |                 | TYPE V        |          |                    |          |            |

To view photometrics visit our website.

THE **EOS.**  
PRODUCT SPECIFICATIONS



| FSL520 - 250W |                |             |              |                 |               |     |                    |          |            |
|---------------|----------------|-------------|--------------|-----------------|---------------|-----|--------------------|----------|------------|
| CCT           | SYSTEM WATTAGE | LED WATTAGE | LUMENS (LMS) | LUMENS PER WATT | REPLACES (MH) | CRI | OPTICS INFORMATION | VOLTAGE  | WEIGHT     |
| 40K           | 240W           | 220W        | 28800        | 120             | 600W          | ≥80 | TYPE II            | 120-277V | 23.81 lbs. |
|               |                |             | 28800        | 120             |               |     | TYPE - III         |          |            |
|               |                |             | 28800        | 120             |               |     | TYPE IV            |          |            |
|               |                |             | 28800        | 120             |               |     | TYPE V             |          |            |
| 50K           | 240W           | 220W        | 28800        | 120             | 600W          | ≥80 | TYPE II            | 120-277V | 23.81 lbs. |
|               |                |             | 28800        | 120             |               |     | TYPE - III         |          |            |
|               |                |             | 28800        | 120             |               |     | TYPE IV            |          |            |
|               |                |             | 28800        | 120             |               |     | TYPE V             |          |            |
| FSL520 - 300W |                |             |              |                 |               |     |                    |          |            |
| CCT           | SYSTEM WATTAGE | LED WATTAGE | LUMENS (LMS) | LUMENS PER WATT | REPLACES (MH) | CRI | OPTICS INFORMATION | VOLTAGE  | WEIGHT     |
| 40K           | 300W           | 270W        | 36000        | 120             | 750W          | ≥80 | TYPE II            | 120-277V | 23.81 lbs. |
|               |                |             | 36000        | 120             |               |     | TYPE - III         |          |            |
|               |                |             | 36000        | 120             |               |     | TYPE IV            |          |            |
|               |                |             | 36000        | 120             |               |     | TYPE V             |          |            |
| 50K           | 300W           | 270W        | 36000        | 120             | 750W          | ≥80 | TYPE II            | 120-277V | 23.81 lbs. |
|               |                |             | 36000        | 120             |               |     | TYPE - III         |          |            |
|               |                |             | 36000        | 120             |               |     | TYPE IV            |          |            |
|               |                |             | 36000        | 120             |               |     | TYPE V             |          |            |

To view photometrics visit our website.



## Ready to Order or have any questions?

Contact us for any additional information, such as IES documentation and lighting specification Sheets, or please visit us online at: [www.eranindustrial.com](http://www.eranindustrial.com)



**Office**

1.844.411.LITE



**Sales**

[sales@eranindustrial.com](mailto:sales@eranindustrial.com)

### *Office Location.*



**USA Office**

3500 NW 2nd Avenue,  
Ste 717 Boca Raton,  
Florida 33431



**CHINA Headquarters**

17/F Guangbo Mansion  
#1357 Yinxian Avenue  
Yinzhou District  
Ningbo, China 315100



**eran** industrial.